

# Customer Information Sheet LUNOS Silvento V

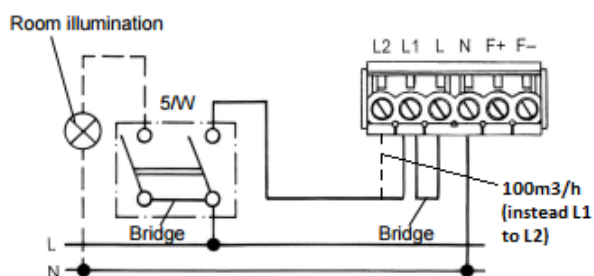
## Product information:

The Silvento is one of the quietest and most economical extraction fans in the world. Especially the V which comes without housing and can be installed in suspended ceilings and walls. You can choose between a flush or surface housing. You can switch between 3 airflows (30, 60, 100 m<sup>3</sup>/h).



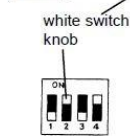
## How to Control:

- ① • One-step operation, switchable to 60 m<sup>3</sup>/h or 100m<sup>3</sup>/h (Ventilator types ... 30/60)



### Switch settings:

#### Factory setting:

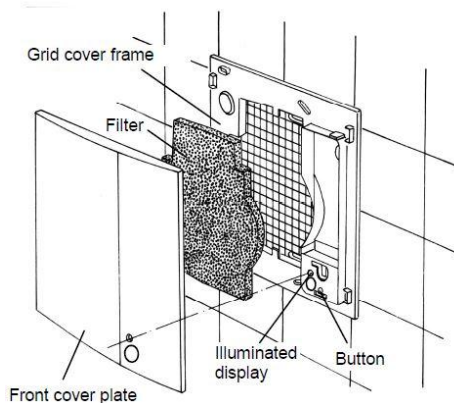


- Switch-on delay 120 sec.
- Time lag 15 min.
- Inverse operation OFF
- Interval switching OFF

↑	Interval ON every 4 hours for 30 min
↓	Interval OFF
↑	Time delay 15 min
↓	Time delay 6 min
↑	Inverse operation ON 30 min
↓	Time lag after leaving the room *
↑	Inverse operation OFF
↑	Switch-on delay 120 sec.
↓	Switch-on delay 0 sec.
1	
2	
3	
4	

## Filter replacement:

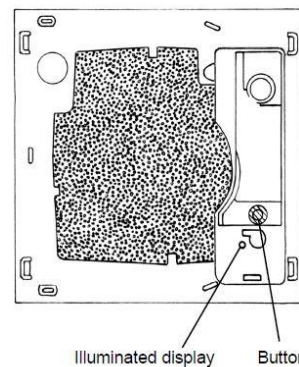
Ventilator with movement detector:  
Button and illuminated display are in the grid cover frame



- Continuous red light up of illuminated display indicates a dirty filter
- Take of the front cover plate, remove filter. Insert new or cleaned filter. Dirty filters can be cleaned, e.g. in a washing machine.
- Operate button for 3 seconds with a pencil or similar to turn off the display illumination
- Replace the front cover plate

**Never operate the system without a filter!**

Ventilator with step switching, run-out time or humidity control: Button and illuminated display are in the electric housing



## Technical data:

Connection	80mm
Flow Rate	30/ 60/ 100 m <sup>3</sup> /h
Power Consumption per unit	from 5.2 W
Measuring surface sound pressure level	24/ 35/ 44 dB
Options	Motion sensor, moisture sensor → only 60m <sup>3</sup> /h Split room → Room 1 (40/60m <sup>3</sup> /h) Room 2 (20/40m <sup>3</sup> /h)

## Option Split- Room Fan



Ventilate 2 rooms while using just 1 fan.

You only need a second room fan set and you can

Run ducting from the fan to the other room.

## How to Control:

