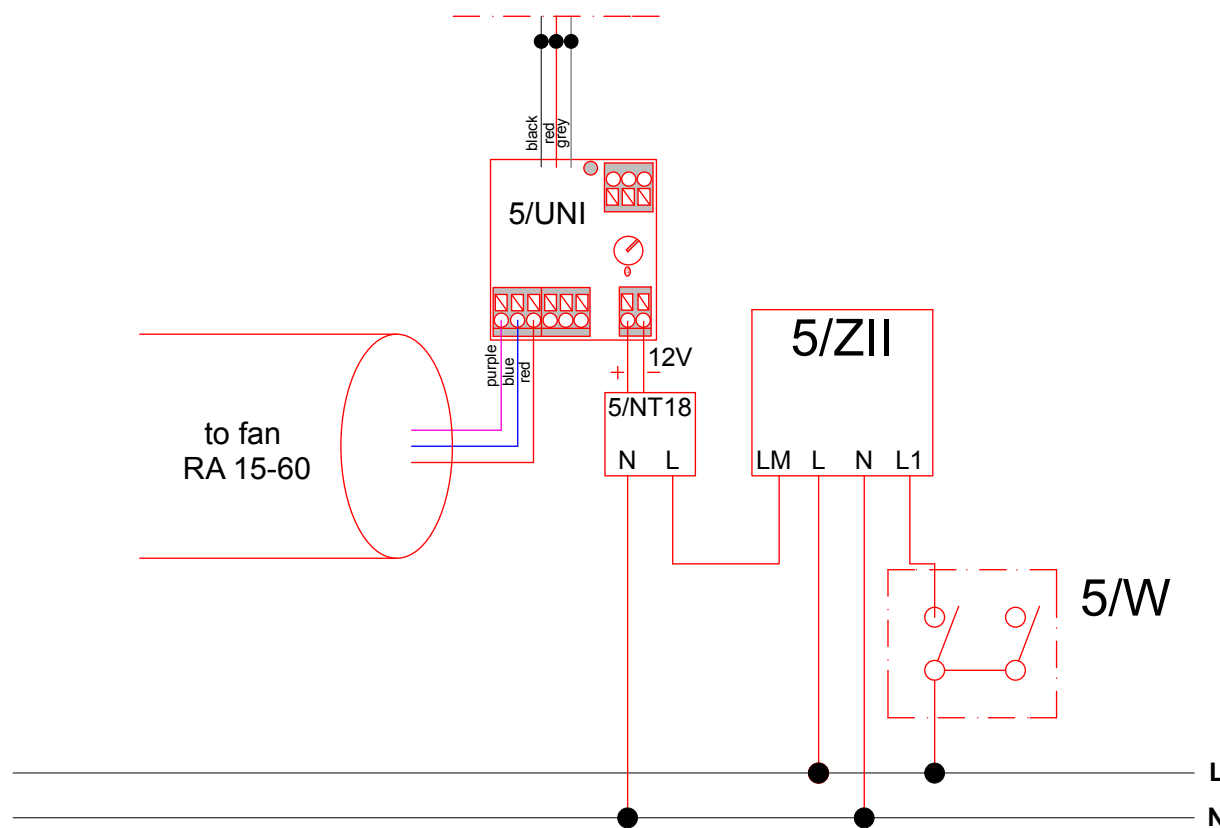


## Special wiring diagram for the exhaust fan RA 15-60 + 5/ZII + 5/NT18 (5/NT60)



For the dimensioning 0/45 m<sup>3</sup>/h all cables have to be wired together (black, red, grey).

**Important: basic setting of the coding switch (5/UNI) always on 0!**

Für die Auslegung 0/60 m<sup>3</sup>/h sind alle drei Litzen (schwarz, rot, grau) miteinander zu verbinden.

**Important: basic setting of the coding switch (5/UNI) always on 1!**